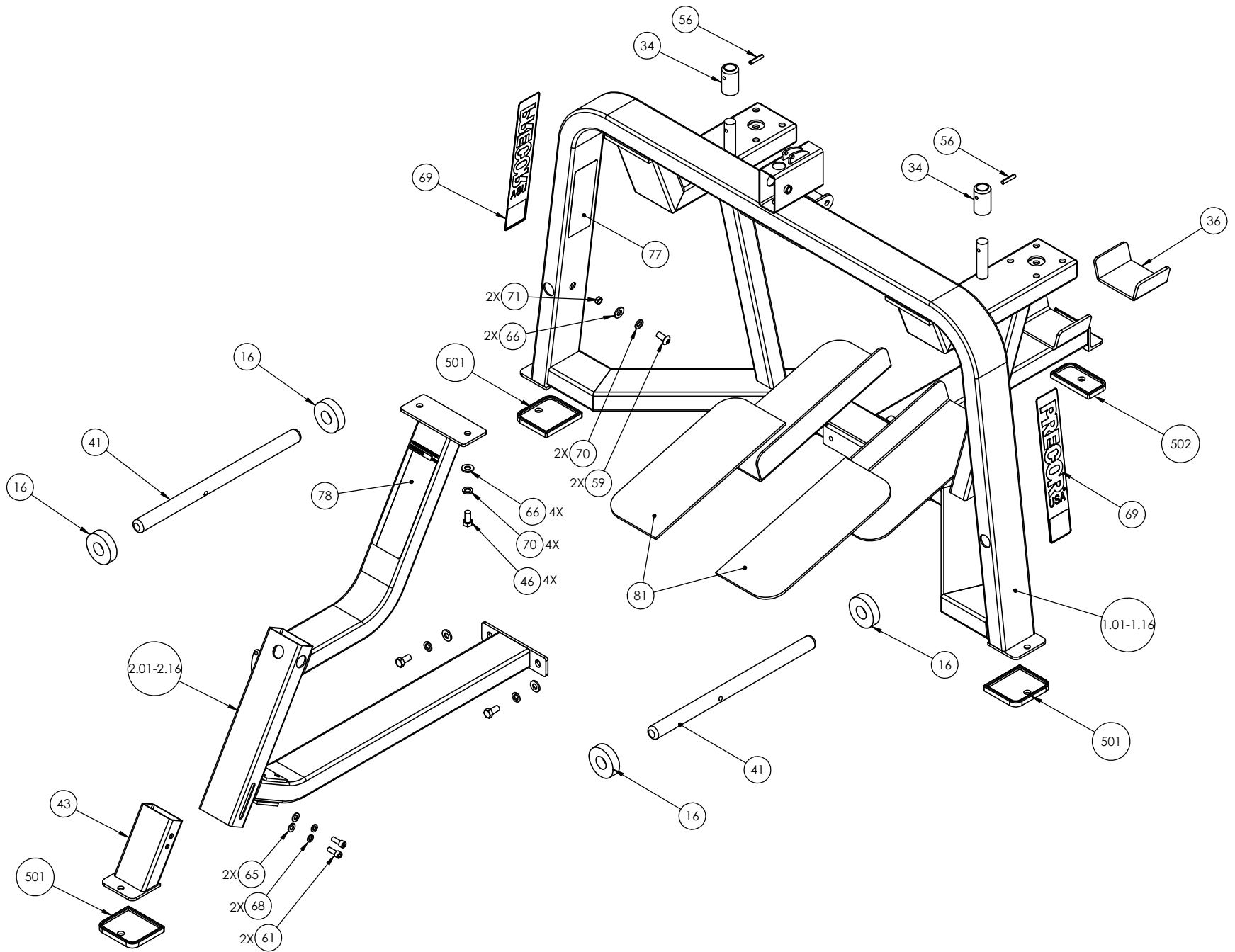
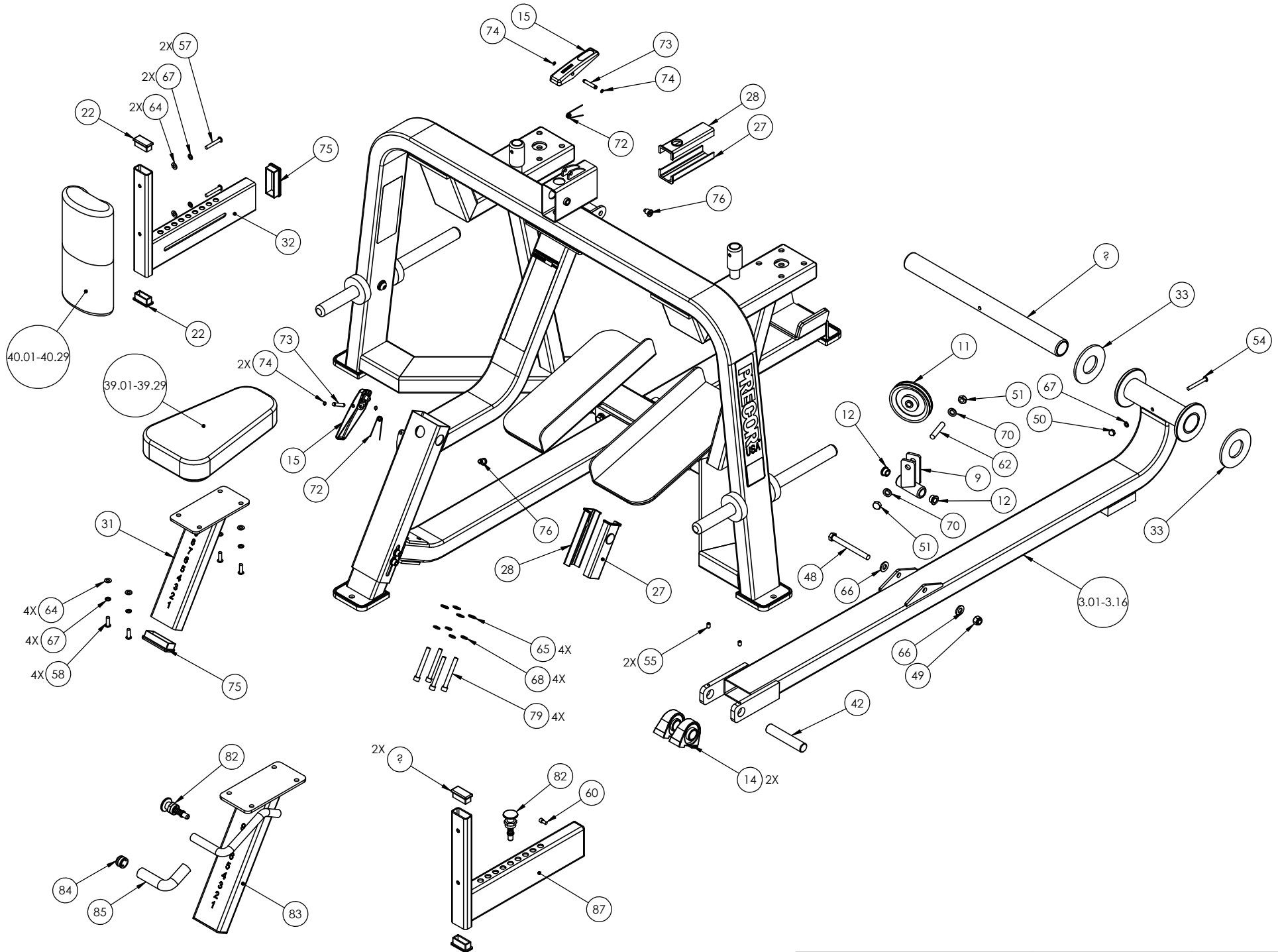


FLT531	P/N : CW31570-102	SUBREV : E
DRAWN BY : MAH	DATE : 09.17.10	SHEET 1 OF 4



FLT531	P/N : CW31570-102	SUBREV : E
DRAWN BY : MAH	DATE : 09.17.10	SHEET 2 OF 4



**SEAT SUPPORT PRIOR  
TO 6/23/2005**

**CHEST SUPPORT PRIOR  
TO 6/23/2005**

FLT531	P/N : CW31570-102	SUBREV : E
DRAWN BY : MAH	DATE : 09.17.10	SHEET 3 OF 4





## 540 Flite Bench Press

Part Number	Description	Bubble Number
CW540SA1-211	ASSY,FRAME,SEAT,FLT540, SKY WHITE	1.01
CW540SA1-321	ASSY,FRAME,SEAT,FLT540, TITANIUM HG	1.12
CW10043-132	BUSHING, BRONZE, 1/2" ID X 3/4" OD	3
CW32460-221	ASSY, RATCHETING LEVER, BLACK	4
CW11311-102	ENDCAP, REC TUBE, 2X4, BLK PLASTIC	5
CW12402-102	BUMPER, ID 1.248 , BLK RUBBER	6
CW12575-101	MOULDED BUMPON, BLACK, 31.75MM SQ (	7
CW12407-101	PILLOW BLOCK, BEARING, FLANGE, 4 BO	9
CW30069-101	LABEL,INSTRUCTION,FLT540	9
CWAC1170-101	LABEL, "FLITE", 1 3/4 X 6 1/4	10
CWAC1171-101	LABEL, "FLITE", 3 1/2 X 12 3/4	11
CWAC1183-101	LABEL, WARNING, SERIOUS INJURY	12
CWAC1236-104	GUIDE INSERT, PLASTIC WITH HOLE, BL	15
CWPF1419-711	BAR, STEEL RND, CHM,DIA 1 1/4" X (2	18
CW32209-711	ASSEMBLY, BACK ADJUSTMENT, 5 HOLE,	19
CW30014-209	CUT PIECE, CREPE, 3/8 THICK, 3.00 X	21
CWPD1101H-101	PAD,FLAT,10X47,4HOLES,W/SLIP,BLACK	23.01
CWPD1123B-101	PAD,6X12,2HOLES,W/BP,BLACK	24.01
CWPF1725-741	BAR,STEEL RND, DIA 1 1/4" X (11), 1	25
CWPF2003-721	PLATE,STEEL,1/4" THICK, 2 BENDS, WR	26
CWPF2006-721	PLATE,STEEL,3/16" THICK, 2 BENDS, W	27
CWPF3449-721	BAR, STEEL, RND, DIA 6" X 4, 1 HOLE	28
CW33286-731	WELDMENT, STABILITY FOOT,BLACK ZINC	29
CWSA1093-211	ASSY,ARM,LEFT,SKY WHITE	30.01
CWSA1093-221	ASSY,ARM,LEFT,BLACK	30.02
CWSA1093-311	ASSY,ARM,LEFT,STONE HG	30.11
CWSA1093-321	ASSY,ARM,LEFT,TITANIUM HG	30.12
CWSA1093-351	ASSY,ARM,LEFT,LIGHT BRONZE	30.15
CWSA1093-361	ASSY,ARM,LEFT,SAPPHIRE BLUE	30.16
CWSA1094-211	ASSY,ARM,RIGHT,SKY WHITE	31.01
CWSA1094-221	ASSY,ARM,RIGHT,BLACK	31.02
CWSA1094-311	ASSY,ARM,RIGHT,STONE HG	31.11
CWSA1094-321	ASSY,ARM,RIGHT,TITANIUM HG	31.12
CWSA1094-351	ASSY,ARM,RIGHT,LIGHT BRONZE	31.15
CWSA1094-361	ASSY,ARM,RIGHT,SAPPHIRE BLUE	31.16
CWSA1095-221	ASSY, SWIVEL HEIGHT ADJ, BLACK	32.02
CWSA1095-311	ASSY, SWIVEL HEIGHT ADJ, STONE HG	32.11
CWSA1095-321	ASSY, SWIVEL HEIGHT ADJ, TITANIUM H	32.12
CWSA1095-351	ASSY, SWIVEL HEIGHT ADJ, LIGHT BRON	32.15
CWSA1095-361	ASSY, SWIVEL HEIGHT ADJ, SAPPHIRE B	32.16
CWSA2000-321	ASSY,FRAME,MAIN,2000,TITANIUM HG	33.12
CWSA2042-741	ASSY, WEIGHT HOLDER,	34
CWHCYN050-100	SCREW,HEX HEAD,BLK Xylan,1/2-13 X 1	36
CWHCYN044-375	SCREW, HEX HEAD , BLK Xyla	37
CWHCYN050-250	SCREW, HEX HEAD, BLK Xylan, 1/2-13	38
CWHCYN050-350	SCREW, HEX HEAD, BLK Xylan, 1/2-13	39
CWHCYN050-550	SCREW, HEX,BLK, 1/2-13 X 5 1/2	40
CWKADLN031-053	NUT, ACORN, 5/16-18	41

CWKMYN044-038	NUT, HEX, UNC, 7/16-14, BLK XYLAN	42
CWKAYN050-031	LOCKNUT, NYLON INSERT, HALF, UNC, 1	43
CWSA3021-221	ASSY,FEMALE BACKPAD SELECTOR,BLACK	44.02
CWSA3021-312	ASSY,FEMALE BACKPAD SELECTOR,STONE	44.11
CWSA3021-321	ASSY,FEMALE BACKPAD SELECTOR,TITANI	44.12
CWSA3021-351	ASSY,FEMALE BACKPAD SELECTOR,LIGHT	44.15
CWSA3021-361	ASSY,FEMALE BACKPAD SELECTOR,SAPPHI	44.16
CWTAYN031-150	SCREW, BUTTON HEAD, BLK XYLAN, 5/16	45
CWTAYN050-100	SCREW, BUTTON HEAD, BLK XYLAN, 1/2	46
CWTAYN031-250	SCREW, BUTTON HEAD, BLK XYLAN, 5/1	47
CWPJCN016-075	SCREW, S/T, #8 X 3/4, WASHER HEAD,	48
CWWBKN031-007	WASHER, FLAT, TYPE A, SAE, 5/16 ID	50
CWWBKN050-010	WASHER, FLAT, TYPE A, SAE, 1/2 ID X	51
CWWBKN031-007	WASHER, FLAT, TYPE A, SAE, 5/16 ID	52
CWWALYN031-008	WASHER, SPLIT, 5/16 ID, BL	52
CWWALYN044-011	WASHER, SPLIT, 7/16 ID, BLK XYLAN	53
CWWALYN050-013	WASHER, SPLIT, 1/2 ID, BLK XYLAN	54
CW30069-101	LABEL,INSTRUCTION,FLT540	57
CWWALYN050-013	WASHER, SPLIT, 1/2 ID, BLK XYLAN	61
CWTAYN031-250	SCREW, BUTTON HEAD, BLK XYLAN, 5/1	62
CW12634-101	SPRING, TORSION 90 DEG X 0.484 X 0.	72
CW31770-742	LATCH PIVOTING PIN, CLR ZN	73
CWAMNN028-003	RING, RETAINING, 2-TURN, SPIRAL, SS	74
CWCP1017-101	CUT PIECE, UHMW, 1 1/2 OD X 1 ID X	77
CWLDNN031-150	SLOTTED PIN SPRING, DIA. 5/16 X 1 1	78
CW31784-731	STOP PLUG, BLK ZN	79
CWAC218-901	HANDLE END CAP W/SET SCREWS, DIA 1"	82
CWCP1002-101	CUT PIECE, CREPE, 1/4 X 2 ID X 4 1/	83
CWGR4621-000	GRIP, RUBBER, 1.00" OD HANDLE, 21.0	84
CWAC1177-101	FLOOR PROTECTOR, RUBBER, 4.563 X 4.	501
CWAC1178-101	FLOOR PROTECTOR, RUBBER, 2.563 X 6.	502
CWAC1181-101	FLOOR PROTECTOR, RUBBER, 4.563 X 4.	503